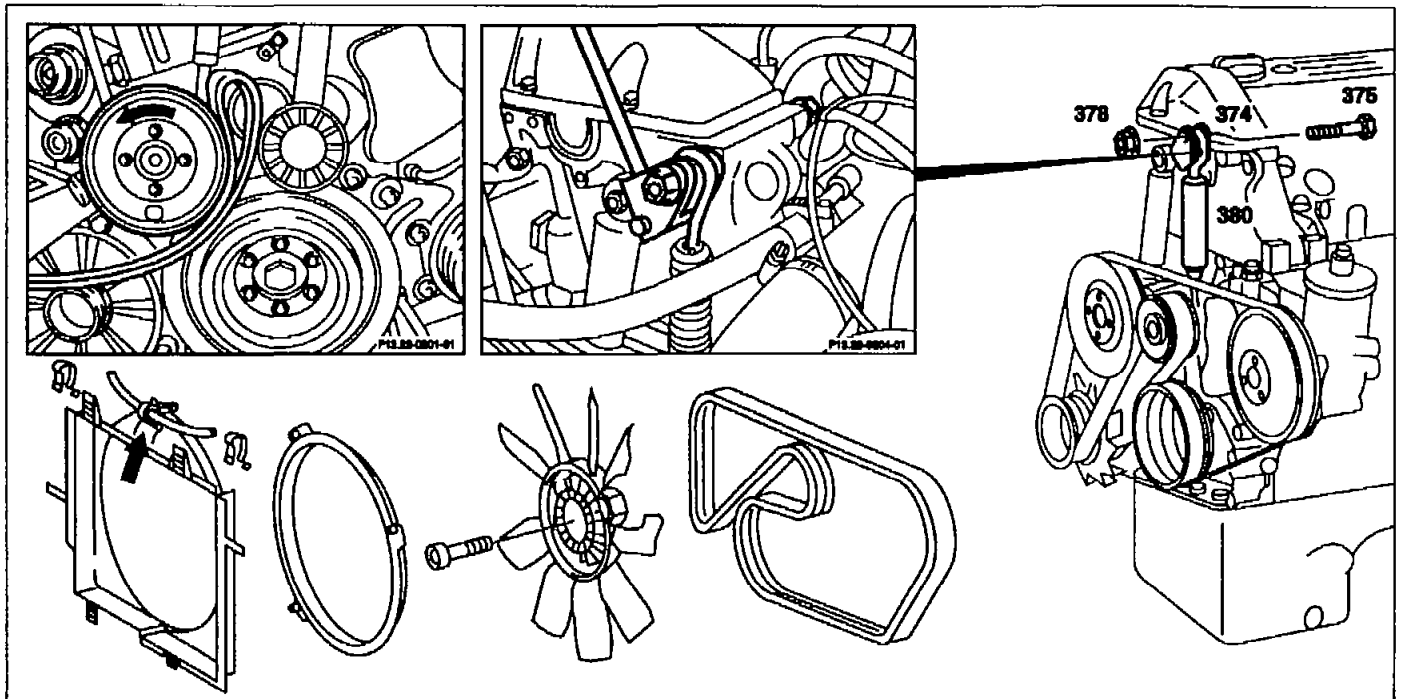








ENGINE 601, 602, 603 (except, 602.982)



P13.22-0281-09

	Removing, installing		
1.1	Detach fan shroud, remove magnetic fan	Engine 601	20-330
2.1	Remove radiator	Engine 602 in model 201 with single-part fan shroud	AR20.20-P-3865HW
3.1	Remove fan shroud	Engine 602 in model 201 with split fan shroud	
4.1	Detach fan shroud, place over fan	Engine 602 and 603 in models 124, 126, 140, 202	
5	Remove viscous fan clutch	Engine 601 in model 202 Engine 602 in model 124, 201 Engine 603 in model 124, 1201	AR20.40-P-5660HA AR20.40-P-5660HW
6	Slacken poly V-belt	 Unscrew nut (378), pull out bolt (375) and take off poly V-belt, fit on and tension. 	BA13.25-P-1007-01A
 WF	Lever for pressing spring tensioning lever poly V-belt tensioning device		WF58.50-P-3902-01A
7	Take off poly V-belt	 Inspect belt pulley sections and tensioning device for damage and dirt, replace if necessary.  Installation: fit on poly V-belt beginning at tensioning pulley in numerical order ↓ Poly V-belt running diagram Poly V-belt dimensions	AR13.22-P-3902-02HW AR13.22-P-1202HW/2 BE13.22-P-1001-01F

8	Inspect poly V-belt, typical damage	See Maintenance Manual, Volume 3, Op. No. 1351	AP13.22-P-1351-01A AR13.22-P-1202HW/3
9	Install in the reverse order		

Single-belt drive

Number	Designation	Engine 601.911/ 912/913/921 without AC compressor	Engine 601.911/ 912/913/921 with AC compressor	Engine 601.911/912/ 913/921 without power steering pump and without AC compressor	Engine 602.911/ 912/961/962 without AC compressor
BE13.22-P-1001-01F	Belt length mm	2050	2120	1015	2030

Single belt drive

Number	Designation	Engine 602.911/ 912/961/962 with AC compressor	Engine 603.912/913/ 931/961/962/963/970/ 971/972 without AC compressor	Engine 603.912/ 913/960/961/962 /963/971 with AC compressor	Engine 603.970 with AC compressor
BE13.22-P-1001-01F	Belt length mm	2100	2080	2145	2120

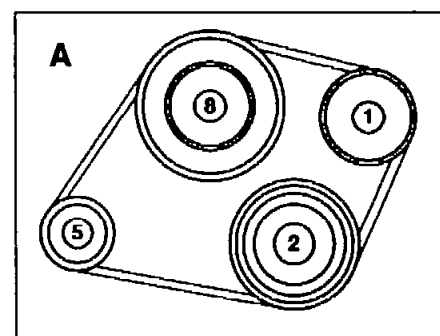
Belt tension device

Number	Designation	Engine 601, 602 except 602.98, 603 except 603.971	Engine 603.971
BA13.25-P-1007-01A	Spring tension lever to cylinder head	Nm 21	21

AR13.22-P-3902-02HW	Poly-V-belt running diagram	Engine 601, 602 except 602.982, 603	
---------------------	-----------------------------	-------------------------------------	--

Running diagram 6-groove single-belt drive, models without power steering (only engine 601 in model 201 up to 09/85)

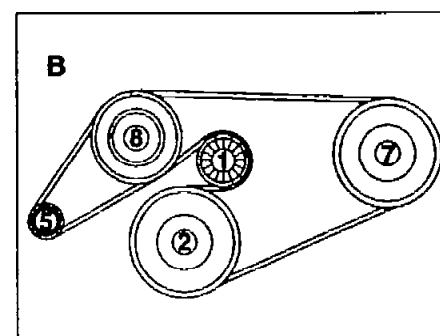
- 1 Tensioning pulley
- 2 Crankshaft
- 5 Generator
- 8 Coolant pump



P13.22-0282-01

Running diagram 6-groove single-belt drive, models with power steering without AC compressor, engines 601, 602, 603

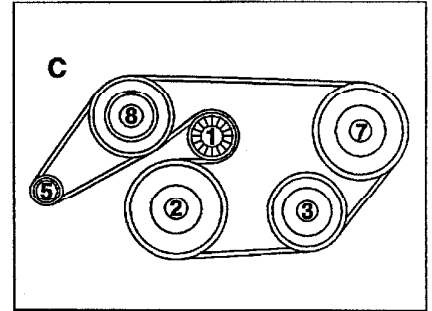
- 1 Tensioning pulley
- 2 Crankshaft
- 5 Generator
- 7 Power steering pump
- 8 Coolant pump



P13.22-0011-01

Running diagram 6-groove single-belt drive, models without power steering and AC compressor engines 601, 602, 603, 603.970

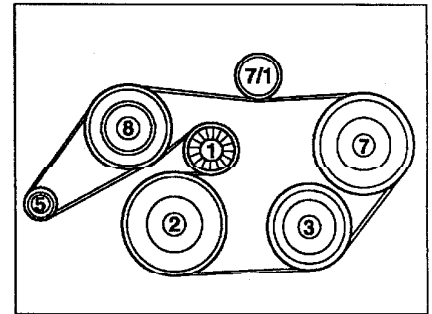
- 1 Tensioning pulley
- 2 Crankshaft
- 3 AC compressor
- 5 Generator
- 7 Power steering pump
- 8 Coolant pump



P13.22-0010-01

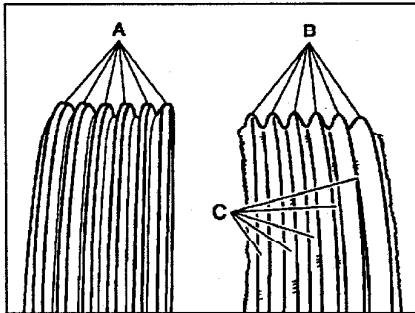
Running diagram 6-groove single-belt drive, models without power steering and with/without AC compressor engine 603.971

- 1 Tensioning pulley
- 2 Crankshaft
- 3 AC compressor
- 5 Generator
- 7 Power steering pump
- 7/1 Guide pulley
- 8 Coolant pump



P13.22-0283-01

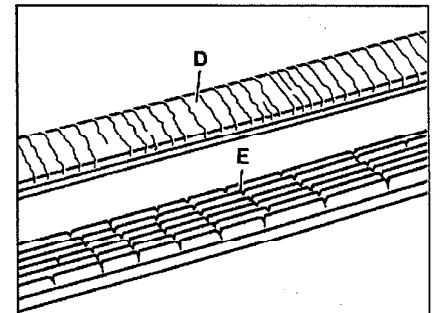
AP13.22-P-1351-01A	Poly V-belt damage patterns		
--------------------	-----------------------------	--	--



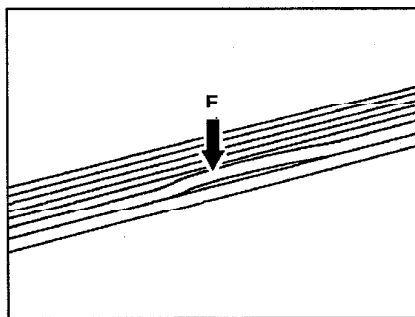
N13.22-2068-01

Edge wear - wedge shaped ribs (B) and backing cord visible at bottom of grooves (C), in new condition the ribs have a trapezoidal shape (A)

Lateral cracks on back (D)
Lateral cracks across a number of ribs (E)



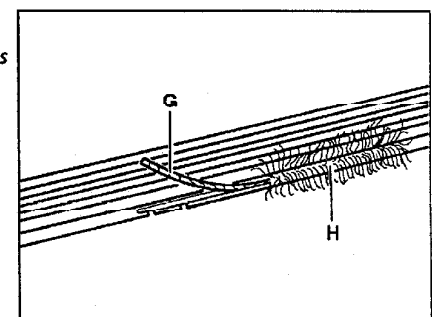
N13.22-2066-01



N13.22-2071-01

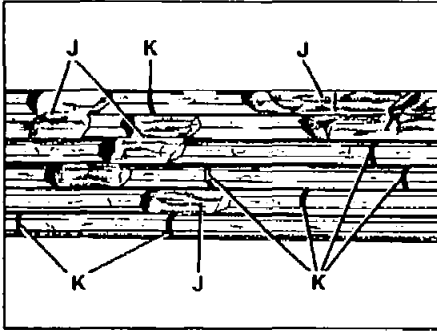
Ribs torn off of belt (F)

Belt cord pulled out at side (G), outer belt cords frayed (H)



N13.22-2067-01

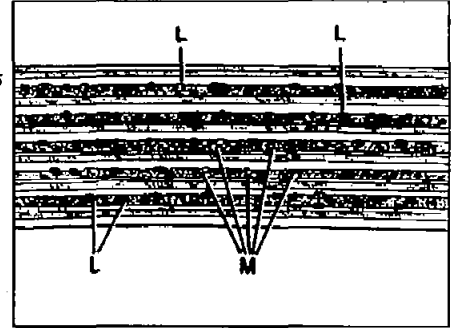




Chunks broken out of ribs (J)
Lateral cracks in ribs (K)

N13.22-2069-01

Chunks of rubber at bottom of grooves (L),
contamination or stones stuck in grooves (M)



N13.22-2070-01

